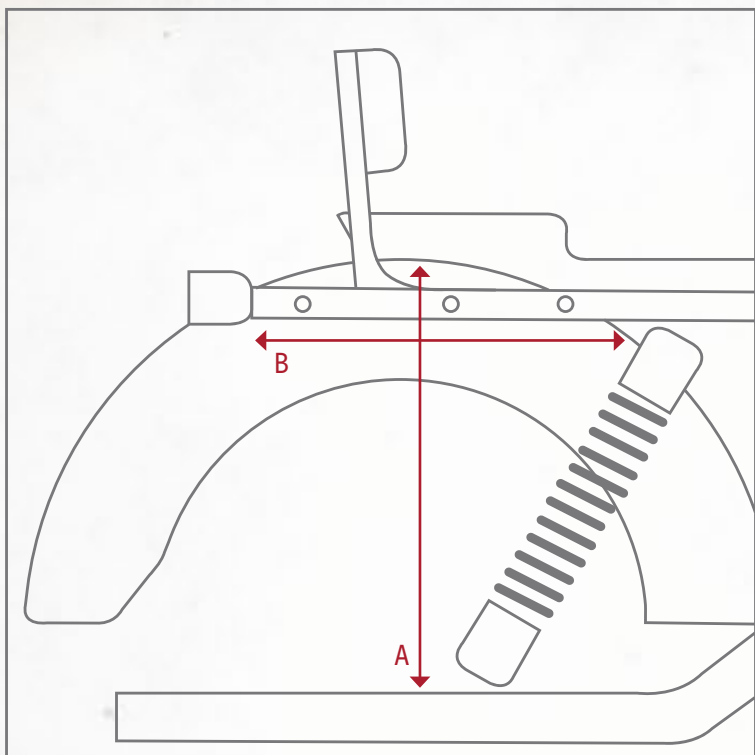


SADDLEBAG MEASUREMENT



**** All bikes are different, please use this as a reference only**

Proper measurements required for fitting saddlebags are as follows:

1. Bags are measured from the back of the bag
2. **Measure side to side (B):** From the back of the seat (rider's position) or shock to the back of the turn signal. Measurement should be greater than the top of the bag length (L).
3. **Measurement from the top to bottom (A):** From the bottom of the seat pad or to the top of the fender to the top of the exhaust pipe. Subtract 2 inches from measurement. This is your maximum saddlebag height (H) for clearance.
4. **Maximum Clearance (MC):** The second measurement in (parentheses) is the maximum clearance on the bag. Longest point to longest point.

All throw-over saddlebags must be used in conjunction with a saddlebag support bracket to keep bags from interfering with any operating components. Two inches of space must be allowed between bottom of bag and top of exhaust pipes for safety. Re-check clearance when saddlebag is loaded (and with rider if you will have passenger) to reassure clearance requirements have been met. **** Do not overload bags - recommended maximum weight is 10 lbs. per side.**



Height x Length x Maximum Clearance x Depth